

Parts and Accessories. Installation Instructions.



Auxiliary connector retrofit for external audio sources

BMW 5 Series (E60, E61)

BMW 6 Series (E63, E64)

Retrofit kit No. 65 12 0 153 502

Installation time

The installation time is 1.0 hours, but this may vary depending on the condition of the car and the equipment in it.

The car must be flash-upgraded with the latest I stage status before starting the conversion work. The required programming time depends on the production date of the car and the work that has already been carried out on it, which means that we cannot give a specific time for this work.

The time for the programming/encoding is not included in the installation time as it depends on the age of the car and the equipment in it.

Important information

These installation instructions are primarily designed for use within the BMW dealership organisation and by authorised BMW service companies.

In any event the target group for these installation instructions is specialist personnel trained on BMW cars with the appropriate specialist knowledge.

All work must be completed using the latest BMW repair manuals, circuit diagrams, servicing manuals and work instructions in a rational order using the prescribed tools (special tools) and observing current health and safety regulations.

To avoid unnecessary extra work and/or costs, if any installation or function problems occur, after a brief troubleshooting session (approx. 0.5 hours), contact the following:

- 1. Either your national sales company or your regional office or**
- 2. The Support team via the Aftersales Assistance Portal (ASAP) using the optional technical parts support application.**

Quote the VIN and the part number of the retrofit kit and provide a detailed description of the problem.

After the installation work the retrofit kit must be programmed / coded using DISPlus or GT-1 via the **Retrofit/CIP** path.

Do not archive the hard copy of these installation instructions since daily updates are made by ASAP.

All the figures show LHD cars, proceed in exactly the same way on RHD cars.

See ASAP for details of the pictograms.

Pictograms



denotes instructions that draw your attention to special features.

◀ denotes the end of the instruction or other text.

Subject to technical modifications.

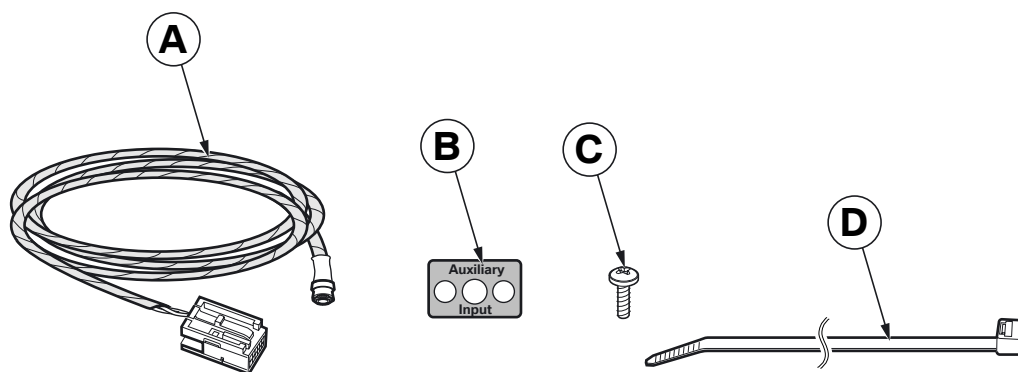
Special tools required

None

Contents

Section	Page
1. Parts list	4
2. Preparations	5
3. Connection diagram	6
4. To install and connect the AUX connector wiring harness in E60 and E61 cars	7
5. To install and connect the AUX connector wiring harness in E63 and E64 cars	8
6. Concluding work and coding	9
7. Circuit diagram	10

1. Parts list



061 0115 Z

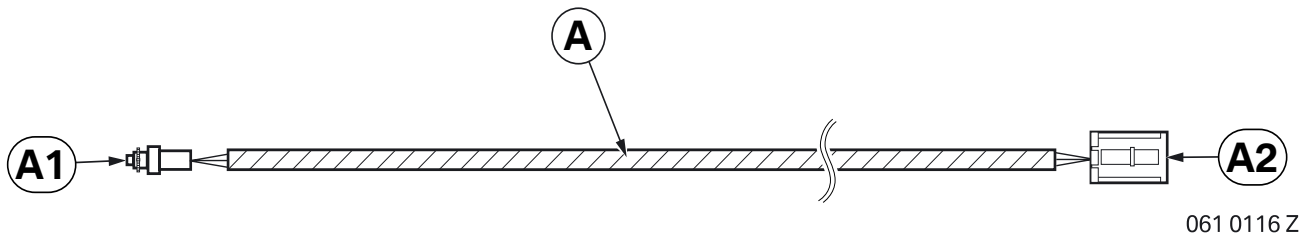
Legend

- A** AUX connector wiring harness
- B** Mounting plate
- C** Philips screw (2x)
- D** Cable tie (5x)

2. Preparations

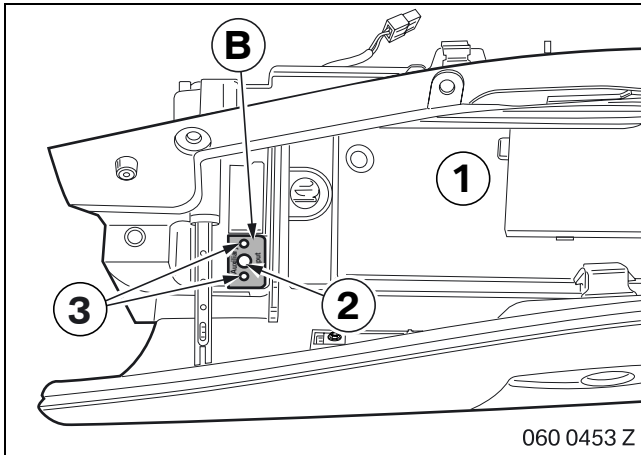
	TIS No.
Conduct a brief test	---
Disconnect the negative pole of the battery	12 00 ...
The following components must be removed first of all:	
Glove box on the right	51 16 360
M-ASK/CCC	65 83 010


3. Connection diagram



Item	Description	Signal	Cable colour / Cross-section	Connection location in the car	Abbreviation / Slot
A	AUX connector wiring harness	---	---	---	---
A1	Pawl socket 3.5 mm	---	---	In glove compartment	---
A2	SW 12-pin socket casing	---	---	Disconnected cables in radio plug X13813	X13813

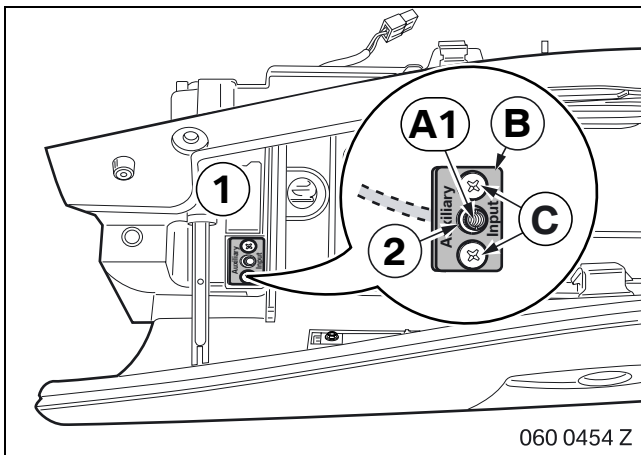
4. To install and connect the AUX connector wiring harness in E60 and E61 cars



 All holes must be drilled precisely as shown in the illustration. ◀

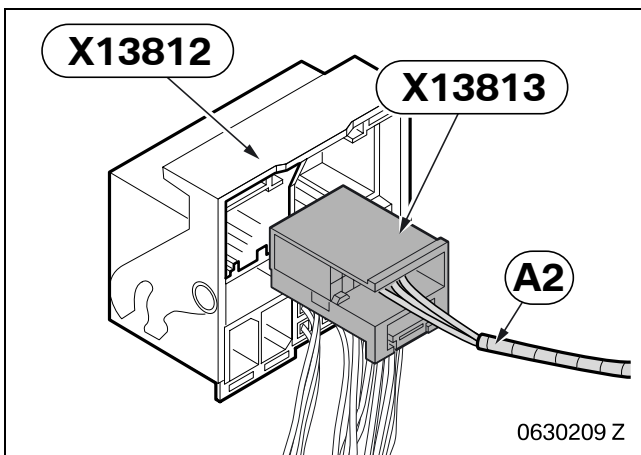
Place the mounting plate **B** in the glove compartment (1) and mark the position of the holes.

Drill the hole (2) with a 9 mm twist drill bit and holes (3) with a 2 mm twist drill bit in the glove compartment.



Insert branch **A1** in the glove compartment (1) and secure it to mounting plate **B** with a knurled nut (2).

Secure mounting plate **B** to the glove compartment (1) using Philips screws **C**.

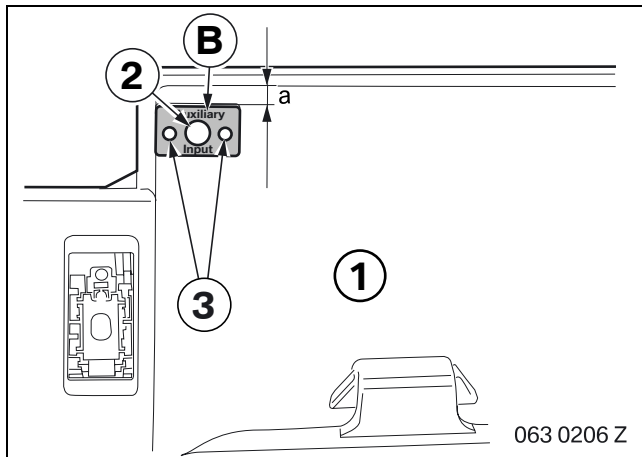



Disconnect the existing cables from branch **A2** and connect them to plug **X13813** :

- WS/BL cable to PIN 7
- WS/RT cable to PIN 2
- WS/BR cable to PIN 8

Connect plug **X13813** to plug **X13812**.

5. To install and connect the AUX connector wiring harness in E63 and E64 cars

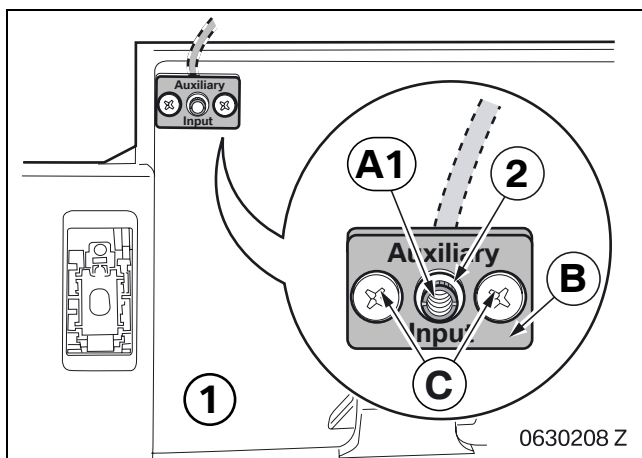


 All holes must be drilled precisely as shown in the illustration. ◀

Place the mounting plate **B** in the glove compartment (1) and mark the position of the holes.

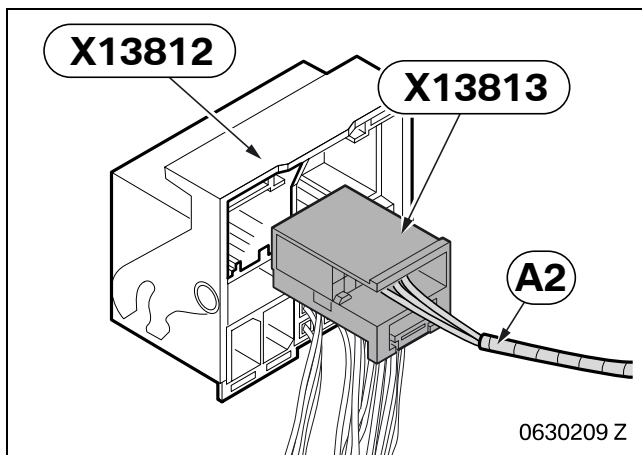
Dimension **a**: 10 mm

Drill the hole (2) with a 9 mm twist drill bit and holes (3) with a 2 mm twist drill bit in the glove compartment.



Insert branch **A1** in the glove compartment (1) and secure it to mounting plate **B** with a knurled nut (2).

Secure mounting plate **B** to the glove compartment (1) using Philips screws **C**.



Disconnect the existing cables from branch **A2** and connect them to plug **X13813** :

- WS/BL cable to PIN 7
- WS/RT cable to PIN 2
- WS/BR cable to PIN 8

Connect plug **X13813** to plug **X13812**.

6. Concluding work and coding

This retrofit system requires coding.

- Connect battery
- Encode/program the retrofit using DISPlus or GT-1 via path **CIP**
- Conduct a brief test
- Conduct a function test:
- Connect an external audio source to the pawl socket in the glove compartment
- Switch on the ignition and the main menu will appear in the on-board monitor
- Slide the controller downwards and select the “Entertainment” menu point
- Turn the controller clockwise, select the “AUX” menu point and confirm it
- Start the playback of the external audio source

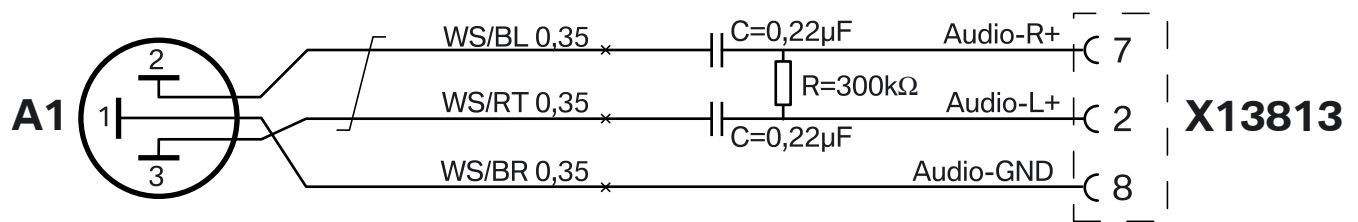


The volume and sound settings can be adjusted using the radio.

If the traffic bulletin feature is active, the audio signals from the external audio source will be interrupted when a traffic bulletin is broadcast. ◀

- Re-assemble the car

7. Circuit diagram



060 0455 Z

Legend

A1 Pawl plug 3.5 mm
X13813 SW 12-pin socket casing

Cable colours

BL	Blue
BR	Brown
GE	Yellow
GR	Grey
SW	Black
WS	White